

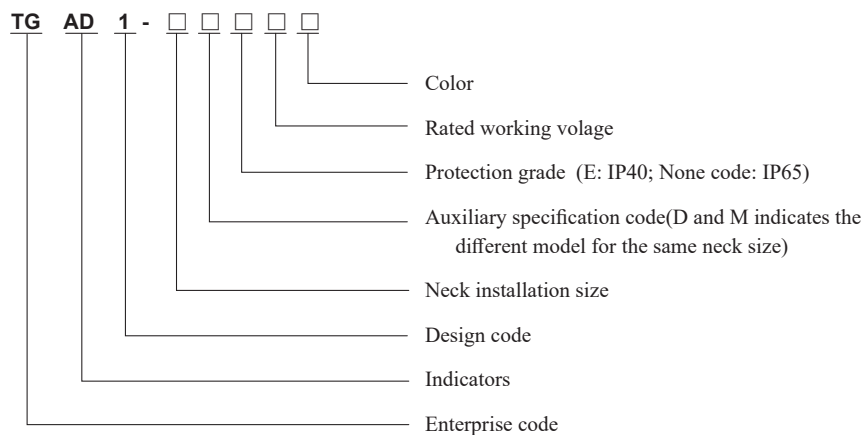
TGAD1 Series Indicator



1 Overview

TGAD1 series indicators are suitable for use in AC 50Hz electrical circuits with rated working voltage of 380V and below, and DC rated working voltage of 380V and below as command signals, warning signals, accident signals and other indication signals.

2 Type Designation



Note: Explanation of auxiliary specification codes (D, M): D indicates an arc round lampshade, and M indicates a buzzer (see Table 1).

Table 1

Indicators	Neck installation size	Auxiliary specification code		Protection grade code	Rated working voltage	Color	Remarks	
TGAD1-	22	D	/	/	AC: 380V, 220V AC/DC: 380V, 220V, 127V, 110V, 48V, 36V, 24V, 12V, 6.3V	White Green Red Yellow Blue	Ordinary signal light	
				E	AC: 380V K30V/K60V AC: 220V K30V/K60V		Anti-interference signal light	
			F	/	AC/DC380V AC/DC220V		Red Green	Circuit breaker indicator
				E				
			WS	/	AC: 380V, 220V AC/DC: 380V, 220V, 127V, 110V, 48V, 36V, 24V, 12V, 6.3V		Red Green	Isolated knife switch indicator
				E				
		WD	/	AC: 380V, 220V AC/DC: 380V, 220V, 127V, 110V, 48V, 36V, 24V, 12V, 6.3V	Red Green	Ground indicator		
			E				Circuit breaker indicator	
		WG	/	AC: 380V, 220V AC/DC: 380V, 220V, 127V, 110V, 48V, 36V, 24V, 12V, 6.3V	Red Green	Flash intermittent sound		
			E				Always-on continuous sound	
		WN	/	AC: 380V, 220V AC/DC: 380V, 220V, 127V, 110V, 48V, 36V, 24V, 12V, 6.3V	Black	Intermittent sound		
			E				Continuous sound	
		M	J	AC: 380V, 220V AC/DC: 220V, 110V, 48V, 36V, 24V, 12V, 6.3V	Green Red Yellow	Flash intermittent sound		
			L				Always-on continuous sound	
			SJ					
			CL					

Note: The protection grade of the TGAD1-22ME buzzer housing is not mandatory; K30V: indicates anti-interference 30V, K60V: indicates anti-interference 60V.

TGAD1 Series Indicator

3 Technical Parameters

- 3.1 Continuous working life $\geq 30000\text{h}$.
- 3.2 Power frequency withstand voltage: 1890V.
- 3.3 Luminous colors: red, green, yellow, white, and blue.

4 Operating Conditions


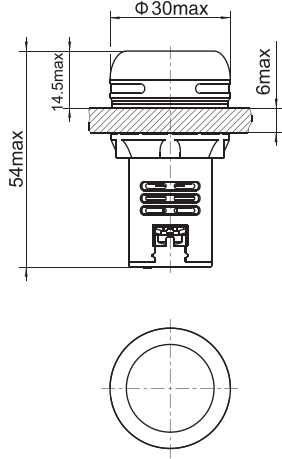
- 4.1 Ambient air temperature: $-25^{\circ}\text{C}\sim+50^{\circ}\text{C}$; the average temperature within 24h does not exceed $+45^{\circ}\text{C}$; the altitude of the installation site does not exceed 2,000 meters.
- 4.2 Humidity: When the maximum temperature is $+50^{\circ}\text{C}$, the relative humidity of the air does not exceed 50%; higher relative humidity is allowed at lower temperatures.
For example: 90% at 20°C ; special measures should be taken for the occasional condensation due to temperature changes.
- 4.3 Pollution degree: 3.
- 4.4 Installation category: Class II.

5 Structure and Features

- 5.1 This series of products all use LED chips as luminous source, featuring with low energy consumption, high brightness, low temperature and long service life.
- 5.2 With wide power supply voltage, the product can work normally within $\pm 15\%$ of rated voltage.
- 5.3 With high safety performance and convenient use. The conductors are all hidden in the housing, and wires are clamped with combined screws, providing convenience for user and saving wiring time.
- 5.4 With small volume, light weight and good performance.
- 5.5 The products have attractive appearance and various varieties. With bright colors and soft light, the product can be installed on the equipment for many functions such as indication, decoration, and lighting.
- 5.6 Good interchangeability. With novel design, this product can be installed on the $\Phi 22.3^{+0.4}$ mounting hole, not only satisfying the export requirements but also satisfying the maintenance requirements of original old equipment.


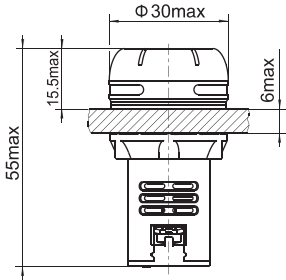
TGAD1 Series Indicator

6 Outline and Installation Dimensions

Variety specifications	Rated working voltage	color	Outline drawing and dimensions
TGAD1-22D □	AC/DC6.3V AC/DC12V AC/DC24V AC/DC36V AC/DC48V AC/DC110V AC/DC127V AC/DC220V AC/DC380V AC220V AC380V AC220V K30V AC220V K60V AC380V K30V AC380V K60V	Red Green Yellow White Blue	
TGAD1-22WS □	AC380V AC220V AC/DC380V AC/DC220V AC/DC127V AC/DC110V AC/DC48V AC/DC36V AC/DC24V AC/DC12V AC/DC6.3V	Red Green	
TGAD1-22WD □			
TGAD1-22WG □			
TGAD1-22WN □			

Note: The letter "K" in K30V and K60V means "anti-interference".

TGAD1 Series Indicator

Variety specifications	Rated working voltage	color	Outline drawing and dimensions
TGAD1-22MJE	AC/DC6.3V AC/DC12V AC/DC24V AC/DC36V AC/DC48V AC/DC110V AC/DC220V AC220V AC380V	Black	
TGAD1-22MLE			
TGAD1-22MCLE		Red Green Yellow	
TGAD1-22MSJE			

7 Ordering Notice

Please specify the following items when ordering the product from our company:

- a. Product name and model;
- b. Order quantity.

Order example:

100 AC/DC 220V red signal lights: TGAD1-22D AC/DC220V red 100 pcs.